

Dutchess

Bakers' Machinery Company, Inc.

A subsidiary of Superior-Lidgerwood-Mundy Corp.

A United States of America Manufacturer
Since 1886

Item No. _____

Model JN

Semi-Auto Dough Divider/Rounder
(1 ounce to 26 ounce total capacity)

Semi-Auto Dough Divider/Rounder

4 Machines in one Capability!

Interchangeable head assemblies in either 36, 18, 9 or 6-part divisions allow fast accurate scaling and rounding of dough in weights ranging from 1 ounce up to 26 ounces each piece.

Examples: 36-part = 1 - 2-3/4 ounces each
18-part = 2 - 7 ounces each
9-part = 7 - 18 ounces each
6-part = 18 - 26 ounces each

When removed for cleaning or interchange (*no tools required*), the entire head assembly can be placed into a sink or dishwasher for complete cleaning to a sanitary operating condition in just minutes per day.

Capable of dividing and rounding many types of Yeast Raised Dough including Bread & Bun dough, Tortilla & Pizza dough.

Simple to operate - learn in just minutes!

Training Video & Manual are provided.

Two year warranty.

NSF, UL & cUL Listed



ASSOCIATE MEMBER
MAFSI
Manufacturers' Agents for
the Food Service Industry

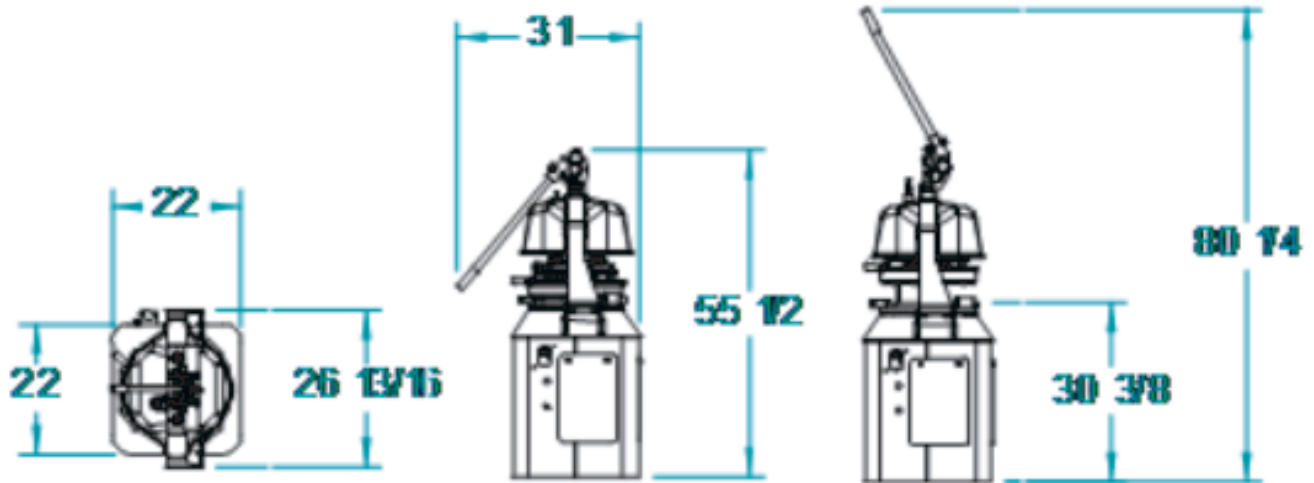
Dutchess Bakers' Machinery Co.
302 Grand Avenue, PO Box 39
Superior, WI 54880-0039

(AP-2000-3/09) **ISO 9001:2015 COMPLIANT**

Toll Free: 800-777-4498
Phone: 715-394-4444
Fax: 715-394-2406
sales@dutchessbakers.com
www.dutchessbakers.com

MODEL JN

Semi-Auto Dough Divider/Rounder



Machine Dimensions:

Width: 26 13/16" (68.07 cm) **Depth:** 22" (55.88 cm) **Height:** (incl. handle) 81 1/4" (206.4 cm)

Shipping Wt.: 490 lbs.(220.5 kg) **Net Wt.:** 449 lbs (202 kg)

Shipping Class: 85 **FOB:** Superior, WI 54880

Shipping Dimensions: 28-1/4" x 25-1/2" x 66" (71.75 cm x 64.77 cm x 167.64 cm)

Standard:

36-Part Head Assembly (P/N C4-436-0053), (2) 36-Part Dough Pallets, White Powder Coated Finish, 2-year warranty, Training Video, Manual
208v / 60hz / 3-phase, 3/4 hp motor, 10 amps required.

Options:

120 or 240v / 60 hz / 1-phase, 1-hp or 460v / 60 hz / 3-phase **(50 hz also available)**

18-Part Head Assembly (P/N C4-436-0051) Includes two same division Dough Pallets.

9-Part Head Assembly (P/N C4-436-0049) Includes two same division Dough Pallets.

6-Part head Assembly (P/N C4-436-0055) Includes two same division Dough Pallets.

Dutchess Bakers' Machinery Company Inc., 302 Grand Avenue, Superior, WI 54880-0039

Toll Free: 800-777-4498 ~ Ph: 715-394-4444 ~ Fax: 715-394-2406

sales@dutchessbakers.com ~ www.dutchessbakers.com