

Dutchess

Bakers' Machinery Company, Inc.

A subsidiary of Superior-Lidgerwood-Mundy Corp.

A United States of America Manufacturer
Since 1886

Item No. _____

Model BMIH - 9SQ (5-23 oz pieces)

Compatible with other Dutchess Models:
BMIH-36 - BMIH-19 - BMIH-9 (Round Heads)

Manually Operated Dough Divider

Four machines in one Capability!

Interchangeable/Removable head assembly in 9-part square divisions allow fast accurate scaling of dough in weights ranging from:

5 ounce up to 23 ounces each piece

Also accepts the 3 round Head Assemblies in divisions of:

36 pieces from 1 ounce up to 4 ounces each

- or -

18 pieces from 2 ounces up to 8 ounces each

- or -

9 pieces from 4 ounces up to 17 ounces each

When removed for cleaning or interchange, the entire head assembly can be placed into a sink or dishwasher for complete cleaning to a sanitary operating condition in just minutes per day.

Capable of dividing many types of dough including Yeast Raised, Cookie, Pie & more.

Excellent for Pizza and Bread production!!

Make Square Ciabatta Rolls.

Simple to operate - learn in just minutes!

Two year Warranty.

Lightweight and mobile when mounted to **Portable Stand** (P/N B4-436-0072) *not shown*



NSF NSF (National Sanitation Foundation Intl.)

USDA USDA (United States Dept. of Agriculture)

ASSOCIATE MEMBER
MAFSI
Manufacturers' Agents for
the Food Service Industry

Dutchess Bakers' Machinery Co.
302 Grand Avenue, PO Box 39
Superior, WI 54880

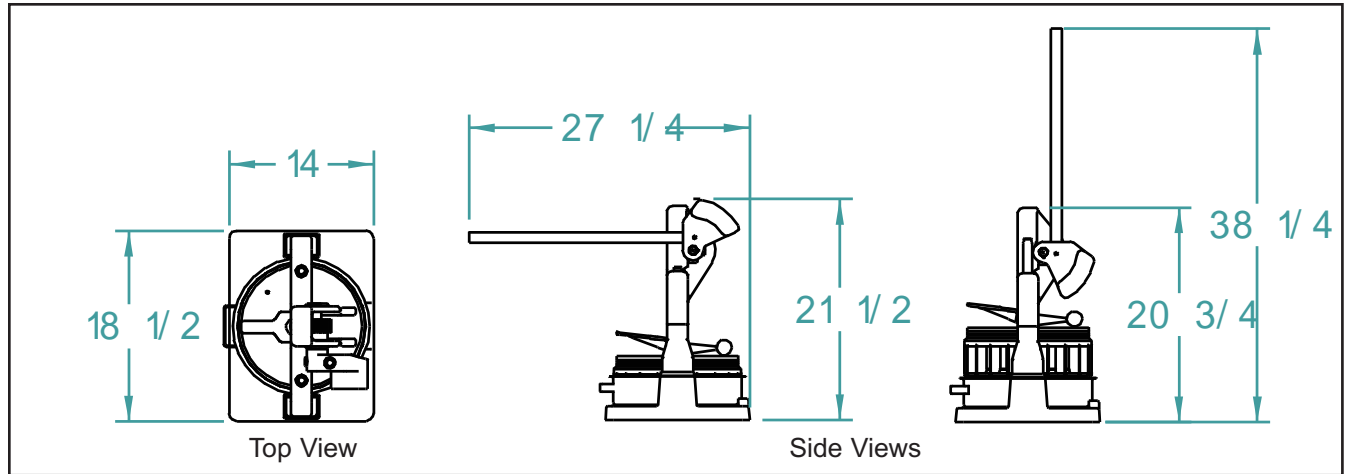
ISO 9001:2008 COMPLIANT

Toll Free: 800-777-4498
Phone: 715-394-4444
Fax: 715-394-2406
sales@dutchessbakers.com
www.dutchessbakers.com

MODEL BMIH-9SQ

(5 oz - 23 oz each)

Manually Operated Bench Model Dough Divider



Machine Dimensions:

Width: 18-1/2" (46.99 cm) **Depth:** 14" (35.56 cm) **Height:** (incl. handle) 38-1/4" (97.15 cm)
Shipping Wt.: 91 lbs.(41.28 kg) **Net Wt.:** 83 lbs (37.65 kg) **Shipping Class:** 85 **FOB:** 54880
Shipping Dimensions: 15-3/4" x 19-1/2" x 25-1/2" (40 cm x 49.53 cm x 53.97cm)
Additional Heads Shipping Wt. (IH-36, IH-18 or IH-9): 18 lbs. (approximate)

Stand Dimensions:

Width:18-1/2" (46.99 cm) **Depth:** 23" (58.42 cm) **Height:** 28-1/2" (72.39 cm)
Stand Shipping Wt: 35 lbs (15.88 kg) **Shipping Dimensions:** 24" x 25-1/2" x 4-1/2"

Manually Operated Dough Divider (Bench Model)

Note: Must be mounted to a Bench, Table or optional **Portable Stand (P/N B4-436-0072)**

Mounting bolt hole pattern (on center): 16-7/8" x 12-1/2"

Standard: White Powder Coated Finish & (1) Stainless Steel Pan (P/N B4-149-004316)

Options: **Portable Stand** w/Toe-Lock Casters & Shelf (P/N B4-436-0072) (mounting hardware incl.)

Extra Stainless Steel Pans (P/N B4-149-004316).

IH-36 (36-part round head when purchased separately).

IH-18 (18-part round head when purchased separately).

IH-9 (9-part round head when purchased separately).

NOTE: If ordering the IH-38/18/9 heads separately you must order p/n B4-149-0001 S/S Pan.

Access owners manual and instructional videos on the Dutchess web site www.dutchessbakers.com

Dutchess Bakers' Machinery Company Inc., 302 Grand Avenue, Superior, WI 54880-0039

Toll Free: 800-777-4498 ~ Ph: 715-394-4444 ~ Fax: 715-394-2406

sales@dutchessbakers.com ~ www.dutchessbakers.com