

# Dutchess

Bakers' Machinery Company, Inc.

A subsidiary of Superior-Lidgerwood-Mundy Corp.

A United States of America Manufacturer  
Since 1886

Item No. \_\_\_\_\_

## Model DUT-BMM Bench Model Moulder

(For: Bread, Rolls & Bolillos)

### Bench Top Bread/Roll Moulder

Interchangeable Moulding Plates to make bread and rolls from 4" to 9" long, or tapered Rolls for Bolillos in 5", 6" & 7.5" length.

Moulding Plates are easily removed for cleaning or interchange (*no tools required*) and can be placed into a sink or dishwasher for complete cleaning to a sanitary operating condition in just minutes per day.

Mould Bread, Subs, Hogies, Coneys and Bolillo's with ease. One person operation.

Simple to operate - learn in just minutes!

1 year parts, 6 months labor warranty.

ETL Safety & BISSC Sanitation Listed

#### Features:

Made in the USA.

Heavy duty construction.

Compact counter top design.

Low stress spring loaded dough rollers.

Capacity ½ oz to 18 oz.

Up to 900, 8 ounce dough pieces per hour.

In-feed safety hopper w/automatic shut-off.

FDA Approved polyester belt.

3" Diameter synthetic rollers and scrapers.

All sealed heavy duty ball bearings.

Totally enclosed roller chain drive.

*Specifications subject to change without notice*



ASSOCIATE MEMBER  
**MAFSI**  
Manufacturers' Agents for  
the Food Service Industry

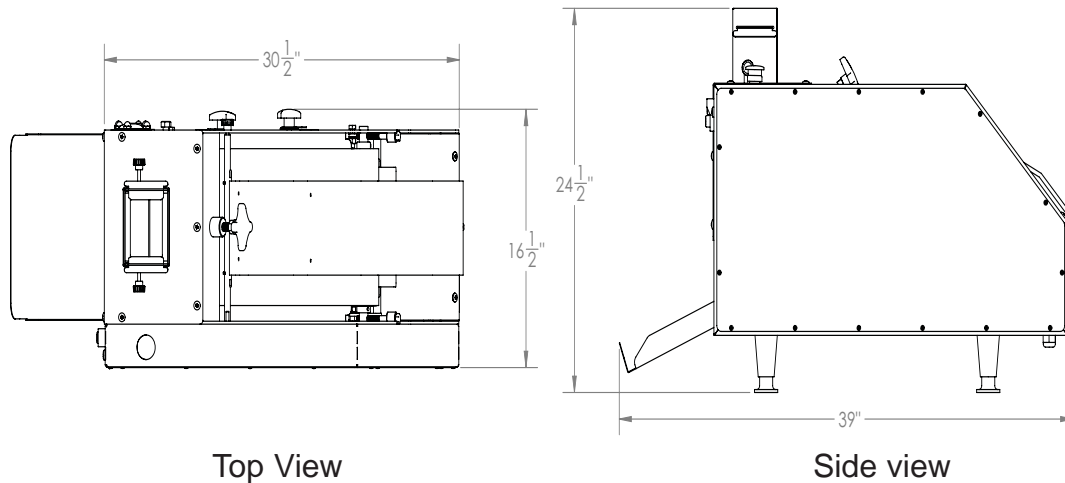
Dutchess Bakers' Machinery Co.  
302 Grand Avenue, PO Box 39  
Superior, WI 54880-0039

**ISO 9001:2008 COMPLIANT**

Toll Free: 800-777-4498  
Phone: 715-394-4444  
Fax: 715-394-2406  
sales@dutchessbakers.com  
www.dutchessbakers.com

# MODEL DUT-BMM

## *Bench Top Bread, Roll & Bolillo Moulder*



Top View

Side view

### **Machine Dimensions:**

**Width:** 16-1/2" **Depth:** 39" **Height:** 24-1/2"

**Shipping Wt.:** 260 lbs. (approximate) **Net Wt.:** 200 lbs (approximate)

**Shipping Class:** 85 **FOB:** Salt Lake City, UT 84104

**Shipping Dimensions:** 37" L x 22" W x 33" H

### **Standard Models with (1) Moulding Plate and Side Guides when needed:**

**DUT-BMM4** - Bench Model Bread & Roll Moulder with **DUT-FMP4** and **DUT-FPSG** included

**DUT-BMM5** - Bench Model Bread & Roll Moulder with **DUT-FMP5** and **DUT-FPSG** included

**DUT-BMM6** - Bench Model Bread & Roll Moulder with **DUT-FMP6** and **DUT-FPSG** included

**DUT-BMM7** - Bench Model Bread & Roll Moulder with **DUT-FMP7** and **DUT-FPSG** included

**DUT-BMM8** - Bench Model Bread & Roll Moulder with **DUT-FMP8** and **DUT-FPSG** included

**DUT-BMM9** - Bench Model Bread & Roll Moulder with **DUT-FMP9** and **DUT-FPSG** included

**DUT-BBM5** - Bench Model Bolillo Moulder with **DUT-BMP5** included

**DUT-BBM6** - Bench Model Bolillo Moulder with **DUT-BMP6** included

**DUT-BBM7** - Bench Model Bolillo Moulder with **DUT-BMP7** included

**Electrical:** 115V/60Hz/1Ph, Heavy Duty Fan Cooled 1/2hp Motor, 8.5 amps

### **Options:**

**DUT-FPSG** - Moulding Plate Side Guides (for use with all Flat Plates)

**DUT-FMP4** - Flat Moulding Plate, 4"

**DUT-FMP5** - Flat Moulding Plate, 5"

**DUT-FMP6** - Flat Moulding Plate, 6"

**DUT-FMP7** - Flat Moulding Plate, 7"

**DUT-FMP8** - Flat Moulding Plate, 8"

**DUT-FMP9** - Flat Moulding Plate, 9"

**DUT-BMP5** - Bolillo Moulding Plate, 5"

**DUT-BMP6** - Bolillo Moulding Plate, 6"

**DUT-BMP7** - Bolillo Moulding Plate, 7.5"

**Electrical:** 220V/60Hz or 50Hz/1Ph, 4.2 amps

**Dutchess Bakers' Machinery Company Inc., 302 Grand Avenue, Superior, WI 54880-0039**

**Toll Free: 800-777-4498 ~ Ph: 715-394-4444 ~ Fax: 715-394-2406**

**sales@dutchessbakers.com ~ www.dutchessbakers.com**