

Dutchess

Bakers' Machinery Company, Inc.

A subsidiary of Superior-Lidgerwood-Mundy Corp.

A United States of America Manufacturer
Since 1886

Item No. _____

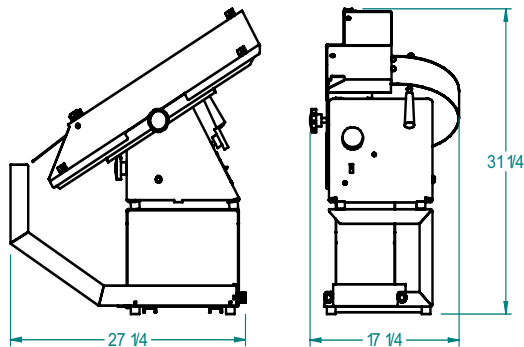
B4-436-0097

RETURN CHUTE ASSEMBLY

(For Model M-270 Compact only / shown)

PRODUCT RETURN CHUTE

- ~ For use with the Model M-270 Compact
- ~ Use for slicing Buns, Bagels, Cones, Subs & Hoagies up to 8" in length.
- ~ Easily assembled w/o tools.
- ~ Sturdy steel construction w/white powder coat finish.
- ~ Will hold up to a dozen or more product at a time.
- ~ Saves counter space by allowing operation perpendicular to the wall.
- ~ Non-skid rubber feet for stable operation.
- ~ Slicer mounts easily with two thumb screws.



Dimensions w/slicer:

27-1/4" Deep

31-1/4" High

17-1/4" Wide

Shipping Weight: 30lbs.

Net Weight: 23lbs.

ASSOCIATE MEMBER
MAFSI
Manufacturers' Agents for
the Food Service Industry

Dutchess Bakers' Machinery Co.
302 Grand Avenue, PO Box 39
Superior, WI 54880

ISO 9001:2008 COMPLIANT

Toll Free: 800-777-4498
Phone: 715-394-4444
Fax: 715-394-2406
sales@dutchessbakers.com
www.dutchessbakers.com